

## 1967-A2 Temperature Display and Switch

Part Number: 119670000A2



### Caution: Risk of Electrical Shock

Turn off breaker at all energized switches before making any electrical connections.

### OEM INSTALLATION

- Requires 2 standard 2-1/8" deep junction boxes. One for battery and one for Temperature Display unit. Separate conduit required for "LINE" and low voltage wiring
- Tape all exposed openings in device boxes before foaming panel
- Run wiring for probe from device box to refrigerated space. Seal around wires to prevent moisture from entering device box
- Run battery cable to battery junction box. This allows battery to be replaced
- Run power wiring 14 AWG min., crimp and secure 1/4 spade insulated female connectors to all wires. Follow all manufacturing recommendations for installation of connectors
- All wiring must comply with local code
- Test display by temporarily applying a 9 volt battery to the battery connector
- Display will cycle through a test program and show temperature. Display will flash temperature. Remove battery for shipping

### FIELD WIRING

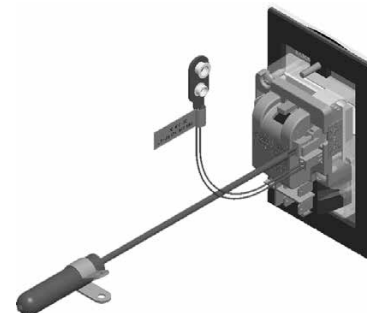
- Once the unit has been wired using supplied wiring schematic, connect the 9 volt battery. Connect power to circuit

### BATTERY

- Never place 9 V battery in freezer
- Never use lithium ion batteries

### OPERATION

- Light Control: Press rocker switch to turn lights ON
- Unit Change: To change temperature units from °F to °C, install the small black jumper on the back of unit. This is found in the bag with mounting screws
- Battery Voltage Monitoring: The far right decimal point will flash if the battery voltage gets too low to operate the unit properly. In battery-only mode, the display will turn on and off to conserve battery life



### ERRORS AND TROUBLESHOOTING

- Display reads "HOT", "OFF" or "- - -": Connect temperature probe or replace probe
- Temperature doesn't change fast enough: The temperature sensor is encapsulated in epoxy and wrapped in a tube. This encapsulation is designed to simulate product mass and not be effected by door opening or defrost cycling
- Low Battery or "LoBat" is blinking: The battery is not installed or the battery charge is too low to allow unit to operate. Replace battery
- Power goes off and display goes blank: The battery is not installed or the battery charge is too low to allow unit to operate. Replace battery

### DESIGN CRITERIA

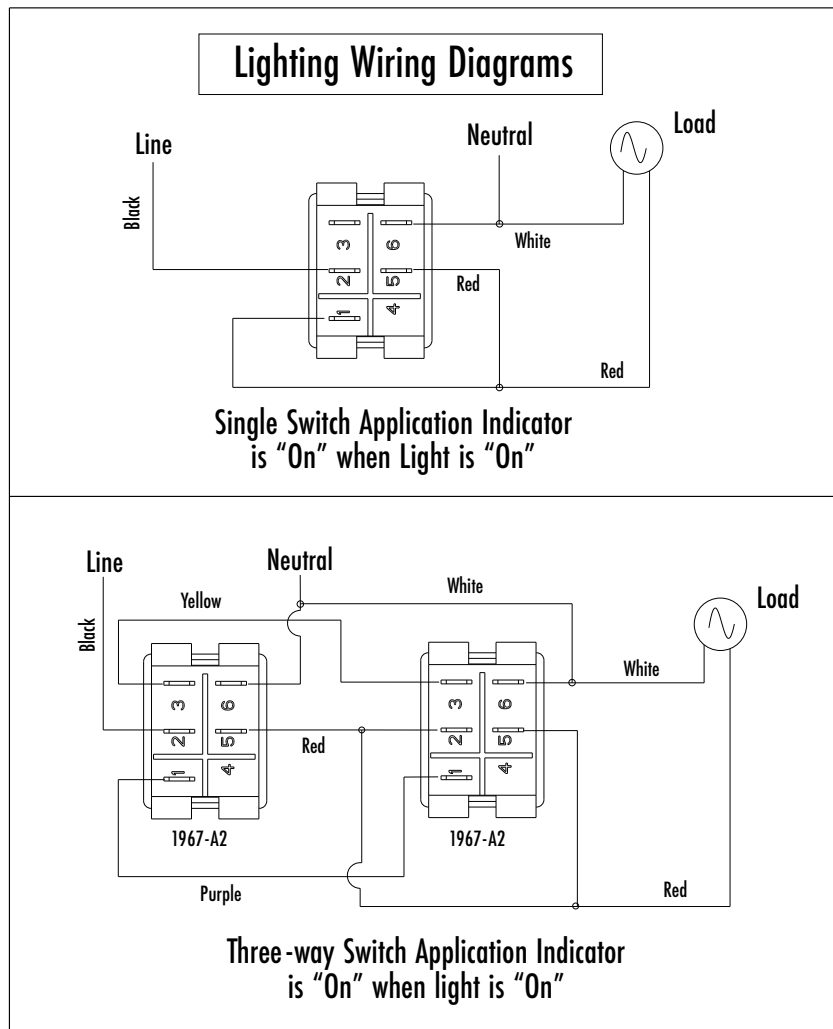
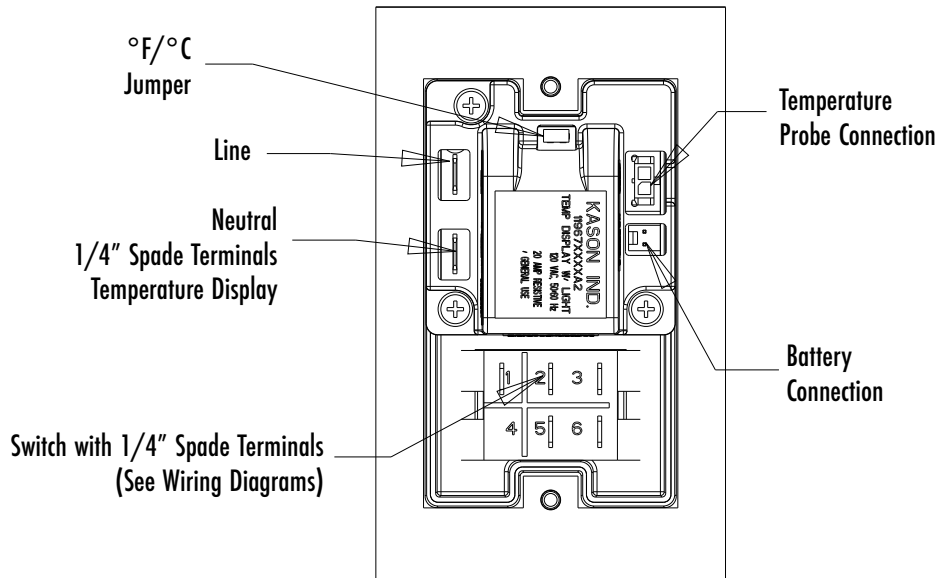
- **Electrical Rating**
  - Voltage: 120 VAC (240 VAC special order)
  - Load: 20 AMP resistive/general use
  - Temperature sensing and display range -40°F [-40°C] to 104°F [40°C]
  - Resolution: 1° +/- .5°C
  - Mounting: Inside cooler, outside cooler, and outside freezer 32°F [0°C] to 72°F [22°C]

Part No.	Description
119670000A2	Temp Display w/ Light Switch (120 VAC)
119670000A4240	Temp Display w/ Light Switch (240 VAC)
91967000942	Temperature Probe, 72" (6')
919670094224000	Temperature Probe, 240" (20')



## 1967-A2 Temperature Display and Switch

Part Number: 119670000A2

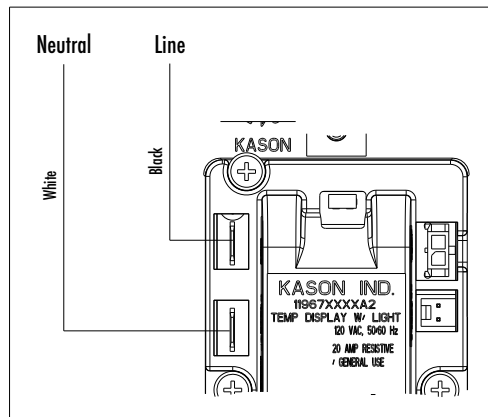
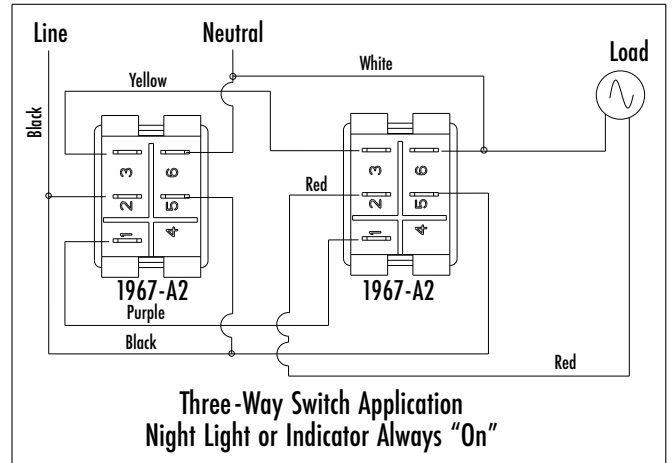
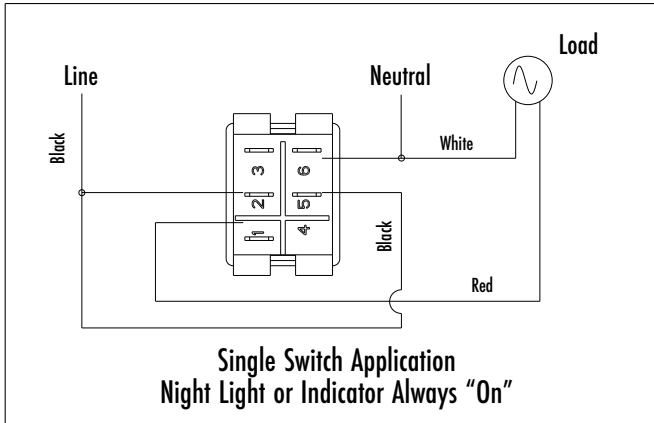


## 1967-A2 Temperature Display and Switch

Part Number: 119670000A2

**NOTE:** Temperature display needs constant AC power.  
Always pull power to display.

For Use with 1908-603 Three-Way Switch



For Use with 1908-604 Four-Way Switch

For Wire Diagram Below: "Nightlight" Indicator  
Indicator in the 1908-603 will light when load is "On" / 1908-604 will be "Off"  
Indicator in the 1908-603 will not light when load is "Off" / 1908-604 will be "On"

