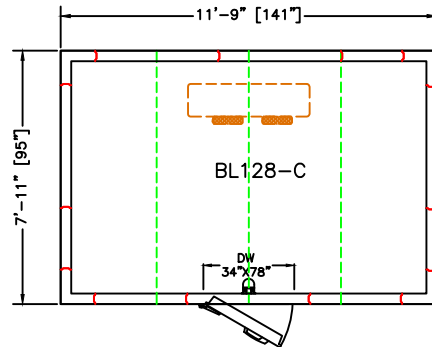


PLAN VIEW

RIGHT HINGE

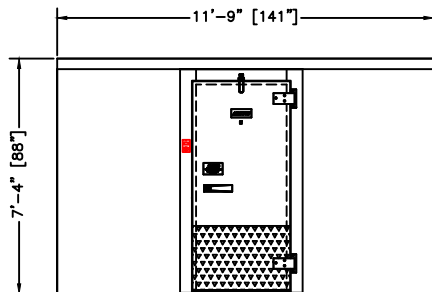
SELECT



PLAN VIEW

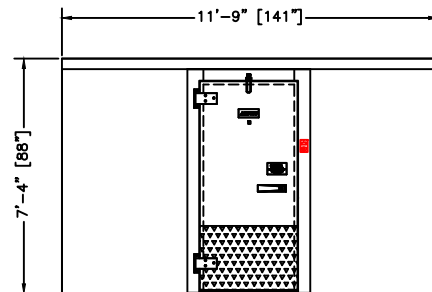
LEFT HINGE

SELECT



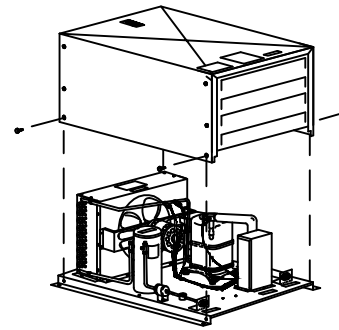
ELEVATION

RIGHT HINGE

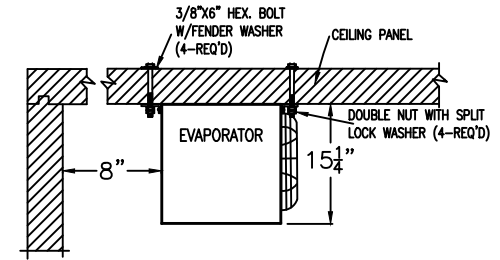


ELEVATION

LEFT HINGE



CONDENSING UNIT
DETAIL



EVAPORATOR MOUNTING DETAIL
(MOUNTING HARDWARE
BY OTHERS)

| PRODUCT SPECIFICATIONS | |
|-----------------------------------|--|
| MODEL: | BL128C-R |
| WALK-IN SPECIFICATION | |
| INTERIOR/EXTERIOR FINISH | 26 GAUGE MILL EMBOSSED ACRYLUME OR 26 GAUGE STUCCO EMBOSSED GALVANIZED STEEL |
| ELECTRICAL (VOLTS/Hz/PH) | 115/60/1 |
| MAX AMP. | 0.8 |
| EVAPORATOR SPECIFICATION | |
| ELECTRICAL (VOLTS/Hz/PH) | 115/60/1 |
| AMPS | 1.8 |
| WEIGHT (LBS) | 55 |
| CONDENSOR SPECIFICATION | |
| ELECTRICAL (VOLTS/Hz/PH) | 208-230/60/1 |
| AMPS | 15 |
| WEIGHT (LBS) | 160 |
| WALK-IN AND REFRIGERATION FREIGHT | |
| TOTAL SHIPPING WEIGHT (LBS) | 1274 |
| MAXIMUM PALLET SIZE | 48" X 96" X 102" HIGH |
| NUMBERS OF PALLETS | 2 |

MODEL: BL128C-R

INDOOR-NO FLOOR

COOLER 35°F

REMOTE PRE-ASSEMBLED REFRIGERATION

CUSTOMER APPROVAL

DATE: _____

SIGNATURE: _____

CONFIDENTIAL

THE DRAWINGS, TECHNICAL DATA, AND ALL OTHER INFORMATION SET FORTH IN THIS DOCUMENT COMPRISE TRADE SECRETS AND CONFIDENTIAL INFORMATION THAT IS THE EXCLUSIVE PROPERTY OF ARCTIC INDUSTRIES, LLC.

USE OF SUCH INFORMATION IS LIMITED TO THE PURPOSE FOR WHICH IT WAS PROVIDED AND NO RECIPIENT IS PERMITTED TO USE, COPY, OR DISCLOSE SUCH INFORMATION EXCEPT AS EXPRESSLY AUTHORIZED BY ARCTIC INDUSTRIES, LLC.

Arctic[®]
WALK-IN COOLERS AND FREEZERS
9731 N.W. 114th WAY
MIAMI, FL 33178
PHONE: (305) 883-5581
www.arcticwalkins.com

Intertek CONFORMS TO UL 308A
Intertek CONFORMS TO NSF 501.7
EISA