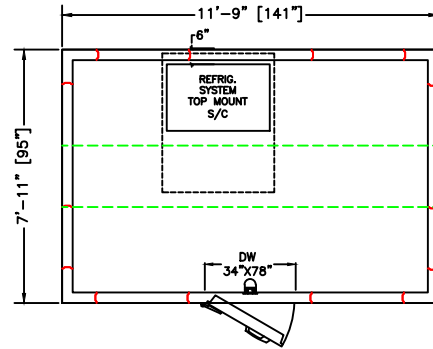
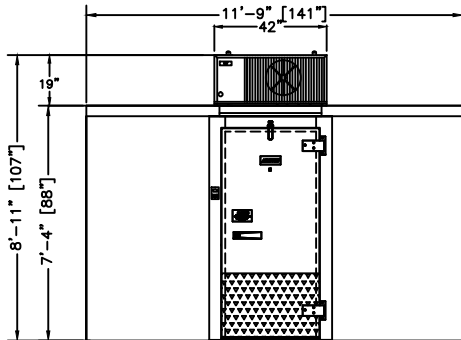


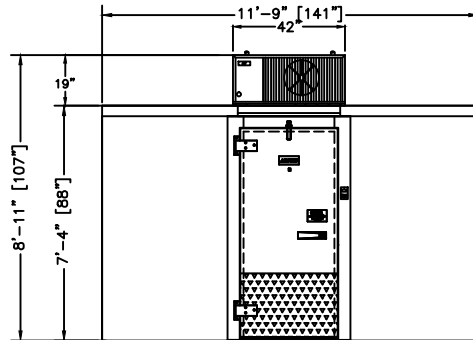
PLAN VIEW
RIGHT HINGE
SELECT



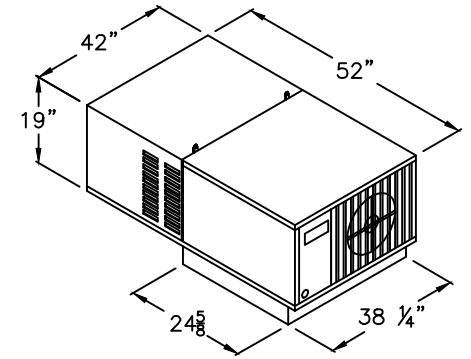
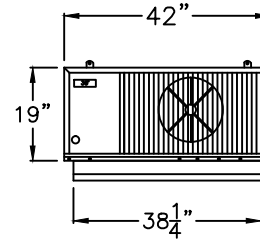
PLAN VIEW
LEFT HINGE
SELECT



ELEVATION
RIGHT HINGE



ELEVATION
LEFT HINGE



REFRIGERATION UNIT

| PRODUCT SPECIFICATIONS | |
|-----------------------------------|---|
| MODEL: | BL128-C-SC |
| WALK-IN SPECIFICATION | |
| INTERIOR/EXTERIOR FINISH | 26 GAUGE MILL EMBOSSED ACRYLUME OR 26 GAUGE STUCCO EMBOSSED GALVANIZED STEEL |
| ELECTRICAL (VOLTS/Hz/PH) | 115/60/1 |
| MAX AMP. | 0.8 |
| SYSTEM SPECIFICATION | |
| ELECTRICAL (VOLTS/Hz/PH) | 208/230/1/60 |
| AMPS | 20 |
| WEIGHT (LBS) | 220 |
| WALK-IN AND REFRIGERATION FREIGHT | |
| TOTAL SHIPPING WEIGHT (LBS) | 1354 |
| MAXIMUM PALLET SIZE | 48" X 96" X 102" HIGH |
| NUMBERS OF PALLETS | 2 |

MODEL: BL128-C-SC

INDOOR-NO FLOOR

COOLER 35°F

SELF-CONTAINED SYSTEM

CUSTOMER APPROVAL

DATE: _____

SIGNATURE: _____

CONFIDENTIAL

THE DRAWINGS, TECHNICAL DATA, AND ALL OTHER INFORMATION SET FORTH IN THIS DOCUMENT COMPRISE TRADE SECRETS AND CONFIDENTIAL INFORMATION THAT IS THE EXCLUSIVE PROPERTY OF ARCTIC INDUSTRIES, LLC.

USE OF SUCH INFORMATION IS LIMITED TO THE PURPOSE FOR WHICH IT WAS PROVIDED AND NO RECIPIENT IS PERMITTED TO USE, COPY, OR DISCLOSE SUCH INFORMATION EXCEPT AS EXPRESSLY AUTHORIZED BY ARCTIC INDUSTRIES, LLC.

Arctic[®]
WALK-IN COOLERS AND FREEZERS
9731 N.W. 114th WAY
MIAMI, FL 33178
PHONE: (305) 883-5581
www.arcticwalkins.com

ETL US
Intertek
CONFORMS TO
UL 308A-1

ETL
Intertek
CONFORMS TO
NSF 501.1

EISA